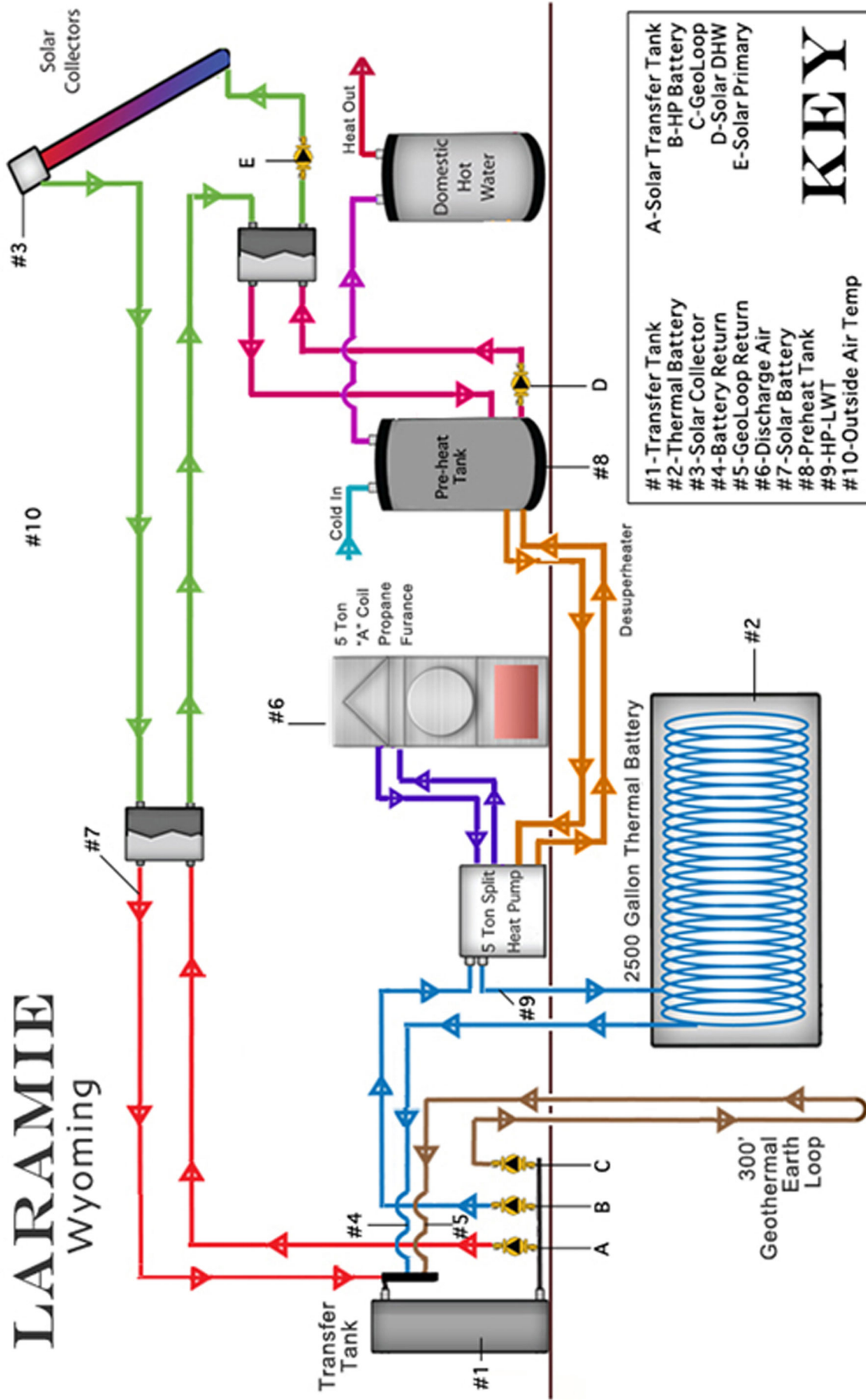


# LARAMIE

Wyoming



**KEY**

- #1 - Transfer Tank
- #2 - Thermal Battery
- #3 - Solar Collector
- #4 - Battery Return
- #5 - GeoLoop Return
- #6 - Discharge Air
- #7 - Solar Battery
- #8 - Preheat Tank
- #9 - HP-LWT
- #10 - Outside Air Temp

- A - Solar Transfer Tank
- B - HP Battery
- C - GeoLoop
- D - Solar DHW
- E - Solar Primary



Harmony Heating  
 305 Hanson Lane  
 Laramie, WY 82070  
 (307) 745-8532

